



GORDON PRODUCTS

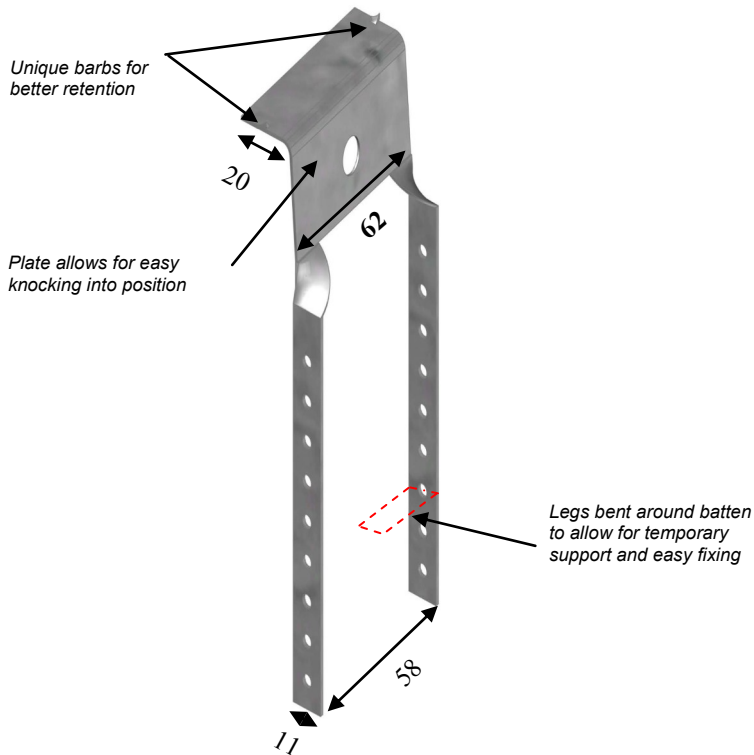
Specialist manufacturers of wire forms and sheet metal fixings for the precast concrete and construction industries



The UNICLIP Range

*Compliant with BSEN 13964:2004 +A1:2006 Annex ZA.1.3
For use as a sub structural component in a suspended ceiling structure*

For the fixing of ceiling battens to precast concrete floors.
Suitable for use with beam and block flooring systems.
Allows fixing after the blocks have been laid.



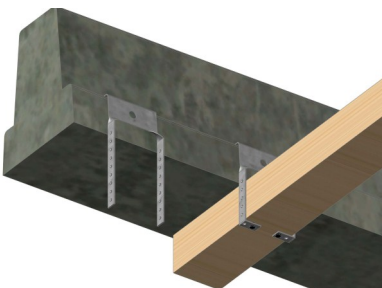
Standard Nominal Dimensions

145mm O/A (suitable for 150-155mm deep beams)
195mm O/A (suitable for 175-200mm deep beams)
225mm O/A (suitable for 225mm deep beams)

Manufactured from
0.7—0.8mm galvanised mild steel

As with all 'fix-after' clips, fixing is advised prior to grouting the floor.
However, in practice, when used with beam and block floors it is often possible to fix after grouting.

Typical usage - 4-5 clips per metre².



For the fixing of ceiling battens to precast concrete floors.
Suitable for use with beam and block flooring systems.
Allows fixing after the blocks have been laid.

Established for over 40 years, Gordon Products is a manufacturer and supplier of quality products to a diverse range of manufacturing and construction industries.

Gordon Products Ltd
Tel: 01928 732 158 / Fax: 01928 739 710
Email:- info@gordonproducts.co.uk